

INVENGO XC-AF35 HIGH PERFORMANCE



About Invengo's XC-AF35 High Performance Antenna

Invengo's XC-AF35 antenna offers high gain, ruggedness, shock and vibration resistance in a unique form factor. The XC-AF35 linear polarized antenna is ideal for transportation, logistics, asset tracking, access control, AVI (Automatic Vehicle Identification) and ETC (Electronic Toll Collection) applications.



Invengo – the global RFID technology provider – is a leading developer and manufacturer of high quality, intelligent RAIN RFID (UHF) and HF/NFC connectivity solutions and consumables (tags & inlays) utilized in the Internet of Things. With a focus on RFID innovation, Invengo has created a leading product line in retail, (industrial) laundry, library, (public) transportation, healthcare and many other industries.

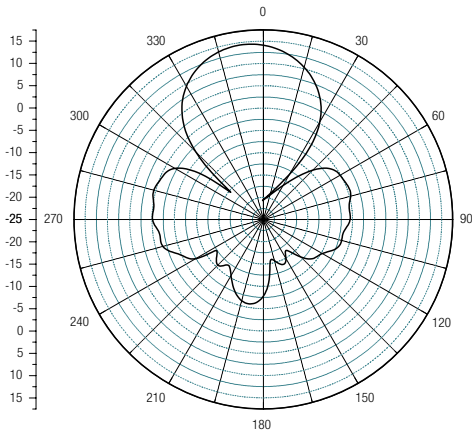
Invengo Technology Pte. Ltd. (SG) is the International Headquarters of Invengo Information Technology Co. Ltd, listed on Shenzhen Stock Exchange (SZSE: 002161.SZ). Employing over 600 people globally, Invengo is one of the largest publicly traded, RFID oriented companies in the world.

Features

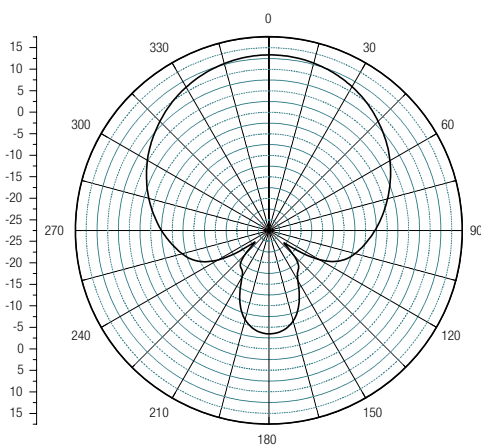
- Operating Frequency 860 to 930 MHz
- Optimized for long-range identification
- High Gain (> 13.6 dBi)
- Exceptional Interference Rejection
- Linear Polarization
- Low VSWR
- Protection Level: IPX4



Radiation Pattern

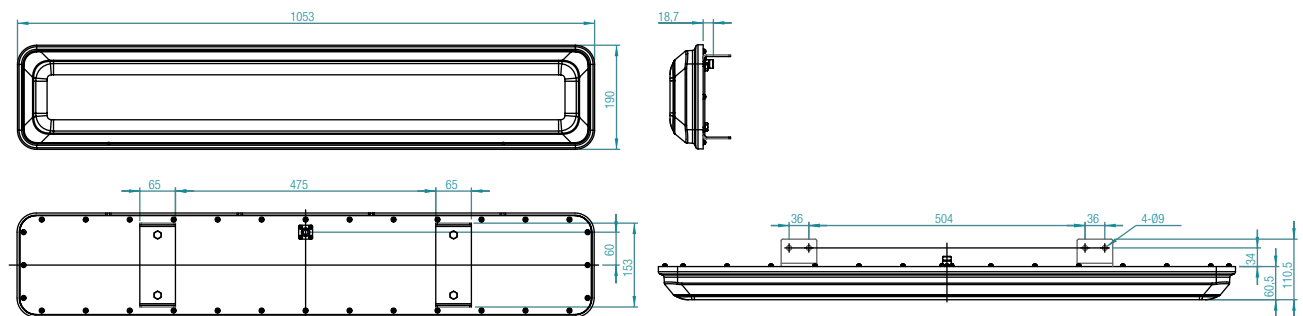


E Phase



H Phase

Mounting Bracket



Product Specifications

Performance Parameter

Operating Frequency	860 to 930 MHz
VSWR	≤ 1.3:1
Gain	> 13.6 dBi
Half Power Beam With	H-Plane 60° E-Plane 15°
Polarization	Linear
Antenna Impedance	50 Ω

Environmental

Operating Temperature	-40°C to 85°C (-40°F to 185°F)
Storage Temperature	-40°C to 85°C (-40°F to 185°F)
Humidity Range	5% ~ 95% RH
Protection Level	IPX4

Physical Parameters

Dimensions	1050 x 190 x 60 mm (41.3 x 7.5 x 2.4 in)
Weight	Approx. 5,1 kg (11.4 Lbs)
Case Material	Plastic FRP, Aluminium
Connector	N-Type

Models

ID	XC-AF35
-----------	---------

APAC / International HQ

Invengo Technology Pte. Ltd

10 Kallang Avenue
#05-15 Tower 2, Aperia
Singapore 339510

Office: +65 6702 3909
sales.apac@invengo.com

Americas

Invengo Technology Corp.

2700-160 Sumner Blvd.
Raleigh, NC 27616
United States of America

Office: +1 919 890 0202
sales.americas@invengo.com

EMEA / Global Textile Services

Invengo Technologies

180 Voie Ariane – Athélia 1
13600 La Ciotat
France

Office: +33 413 96 1111
sales.emea@invengo.com